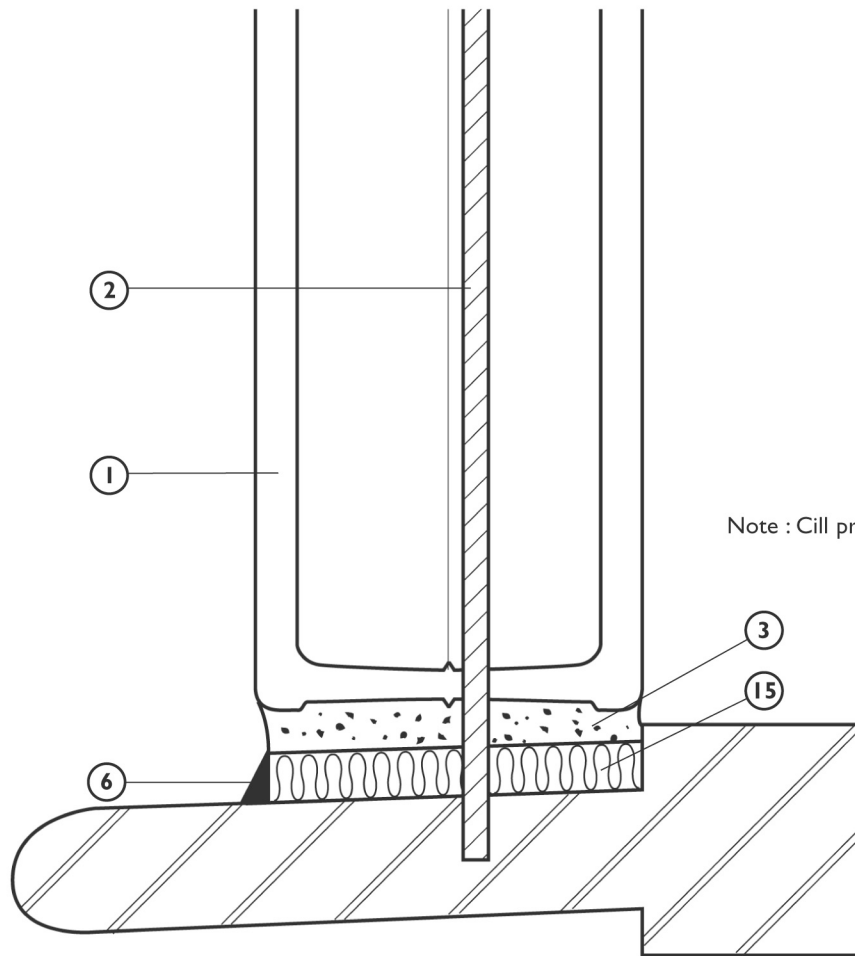
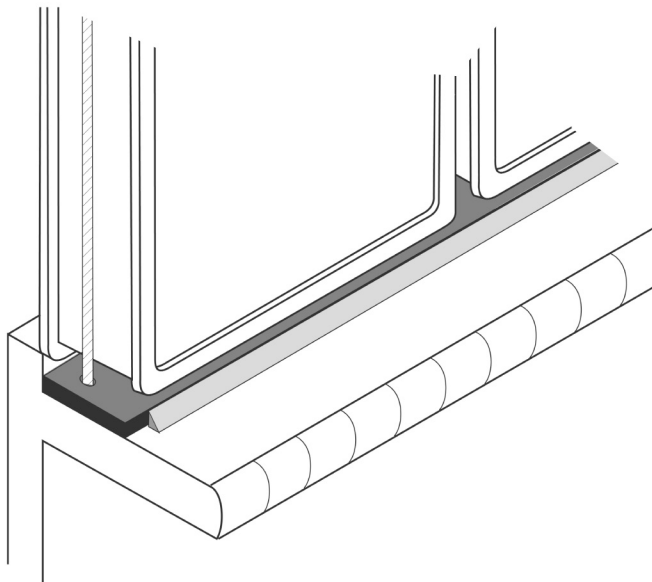


# PLAN



Note : Cill provided by others.



## KEY :

- ① Glass block
- ② Reinforcement Rod
- ③ Colmef Vetromix Mortar (also for grout finishing)
- ⑥ Silicon Sealant
- ⑮ Bitumen Expansion Strip

**Glass Block Technology Limited,**

170 Lodge Lane, Hyde, Cheshire SK14 4LB

Tel : 0161 612 6893 Fax : 0161 285 1503

DRAWING TITLE :

**MORTAR FIXING DETAIL**

**GLASS BLOCK WALL CILL DETAIL**

## NOTES

1. Drawing not to scale. For information purposes only.

This drawing may not be reproduced or made use of unless expressly agreed by Glass Block Technology Limited.

DRAWING No.

**GBT/0008**