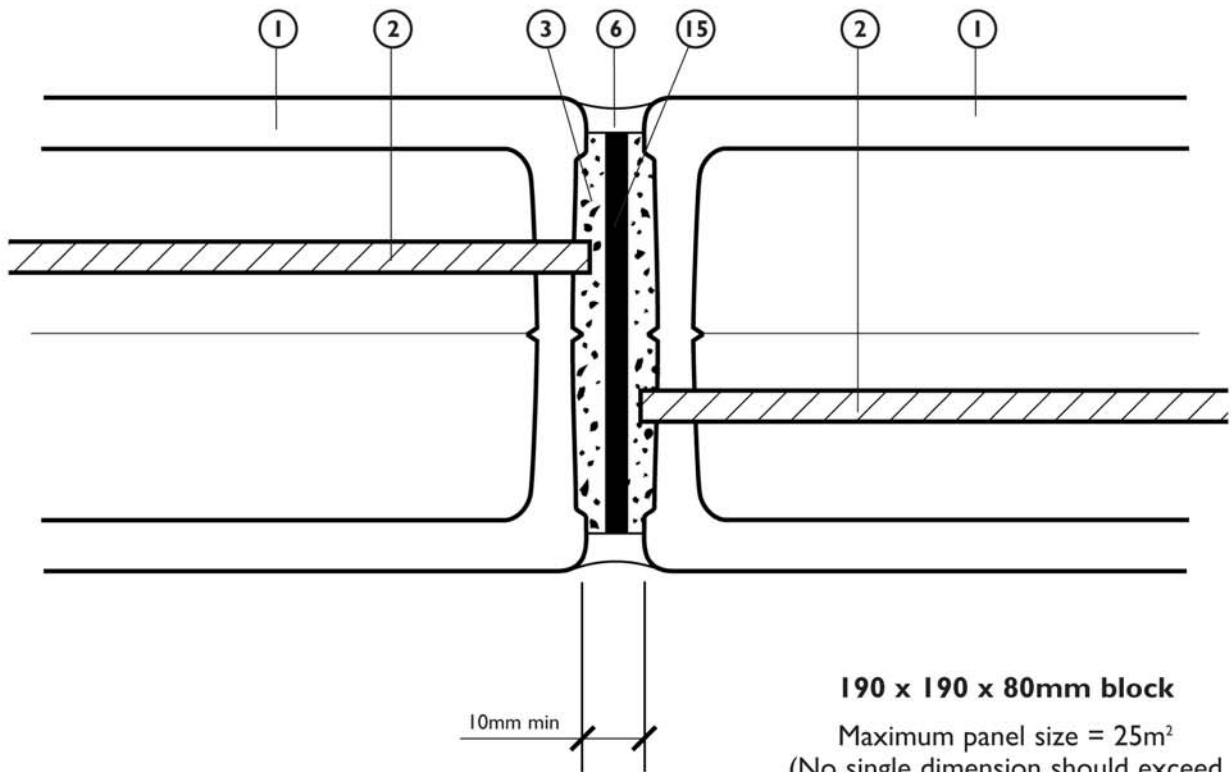
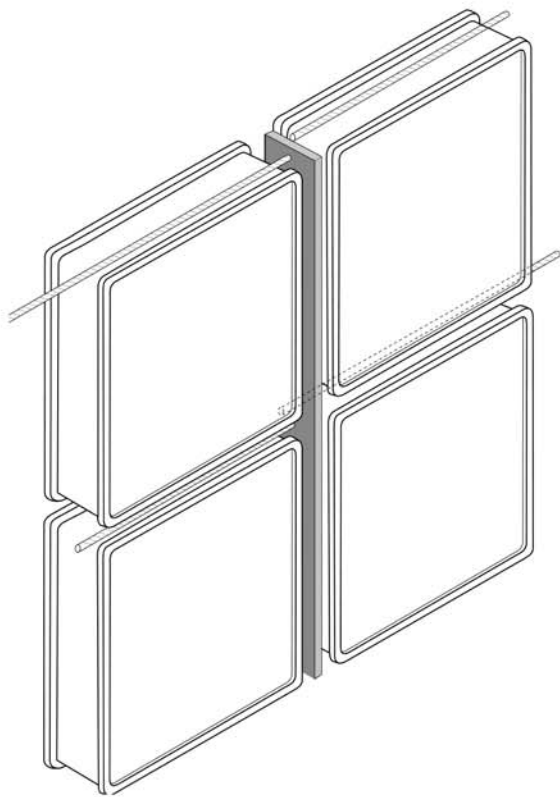


# PLAN



**190 x 190 x 80mm block**

Maximum panel size = 25m<sup>2</sup>  
(No single dimension should exceed  
5m in any direction)



## KEY :

- ① Glass block
- ② Reinforcement Rod
- ③ Colmef Vetromix Mortar  
(also for grout finishing)
- ⑥ Silicon Sealant
- ⑮ Bitumen Expansion  
material

**Glass Block Technology Limited,**  
170 Lodge Lane, Hyde, Cheshire SK14 4LB  
Tel : 0161 612 6893 Fax : 0161 285 1503

DRAWING TITLE :  
**MORTAR FIXING DETAIL**  
**GLASS BLOCK FIXING - INTERMEDIATE VERTICAL**  
**EXPANSION JOINT**

## NOTES

1. Drawing not to scale. For information purposes only.

This drawing may not be reproduced or made use of unless expressly agreed by Glass Block Technology Limited.

DRAWING No.

**GBT/0009**