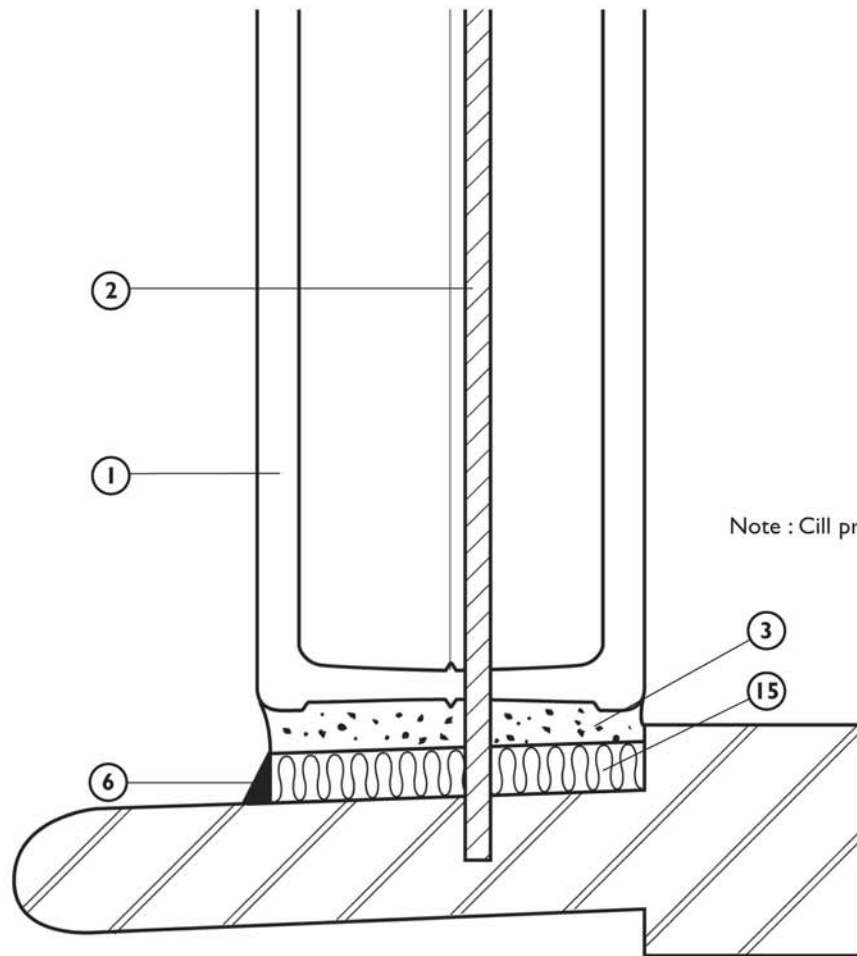
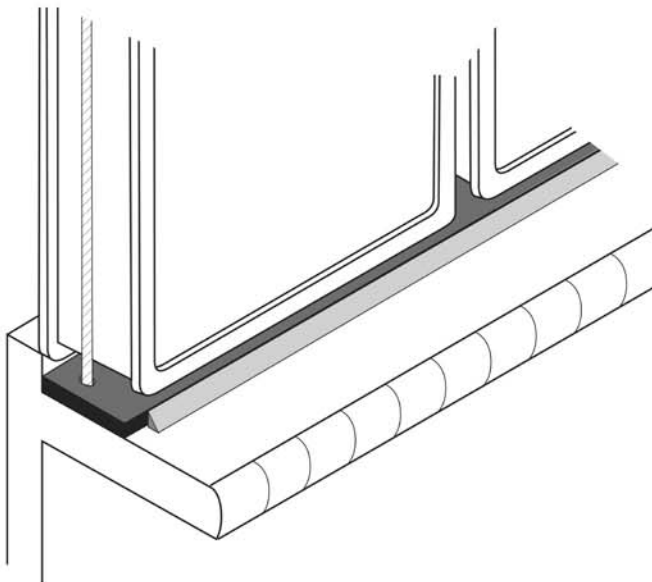


PLAN



Note : Cill provided by others.



KEY :

- ① Glass block
- ② Reinforcement Rod
- ③ Colmef Vetromix Mortar (also for grout finishing)
- ⑥ Silicon Sealant
- ⑮ Bitumen Expansion Strip

Glass Block Technology Limited,

170 Lodge Lane, Hyde, Cheshire SK14 4LB

Tel : 0161 612 6893 Fax : 0161 285 1503

DRAWING TITLE :

MORTAR FIXING DETAIL

GLASS BLOCK WALL CILL DETAIL

NOTES

1. Drawing not to scale. For information purposes only.

This drawing may not be reproduced or made use of unless expressly agreed by Glass Block Technology Limited.

DRAWING No.

GBT/0008